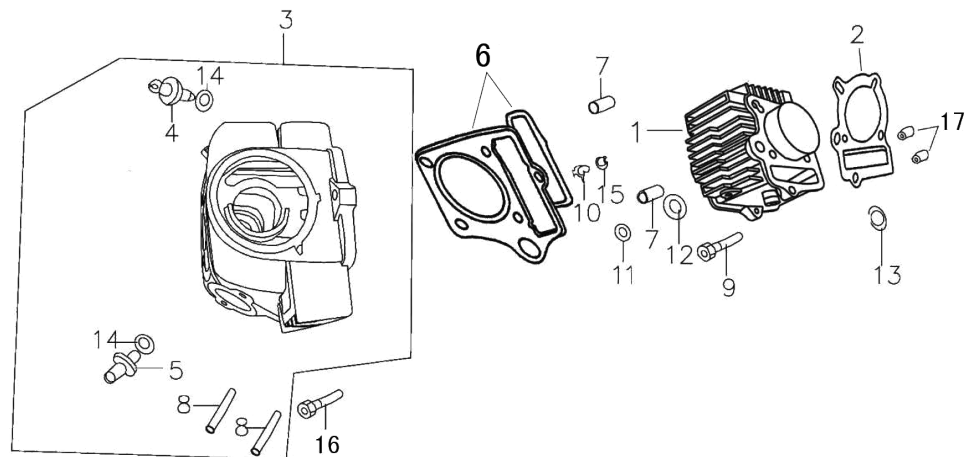
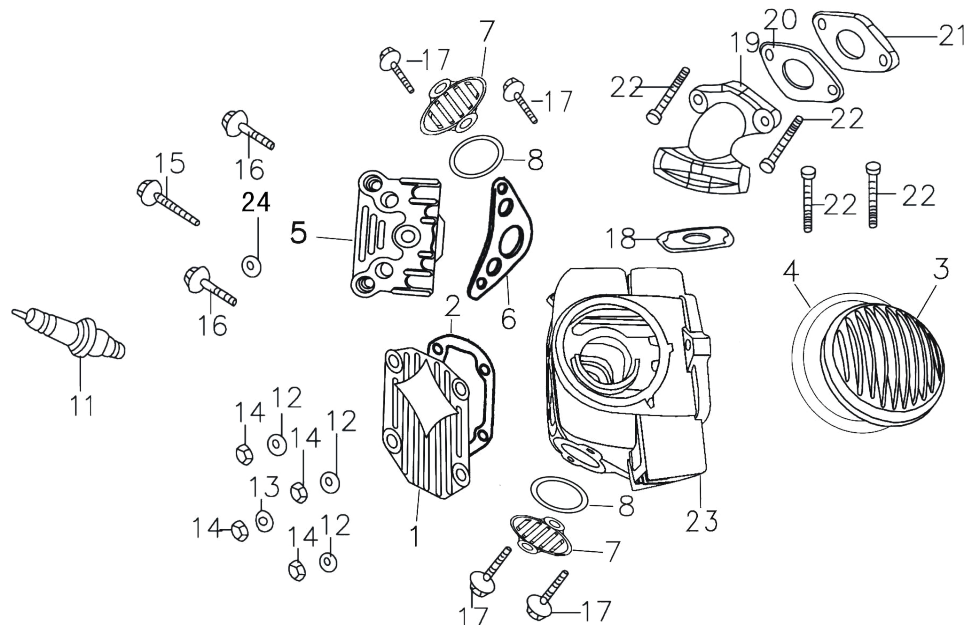


E-1 气缸组件

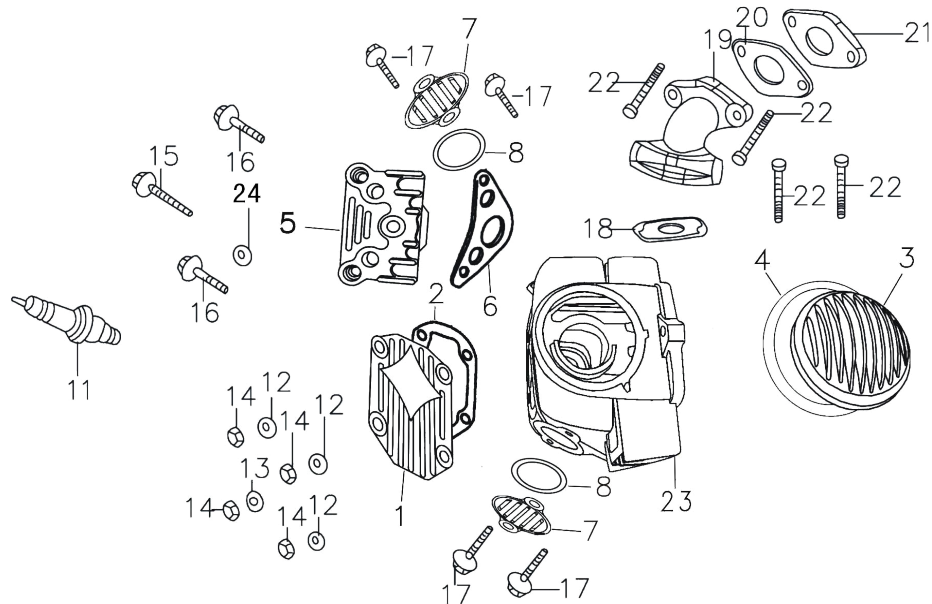
CYLINDER ASSY



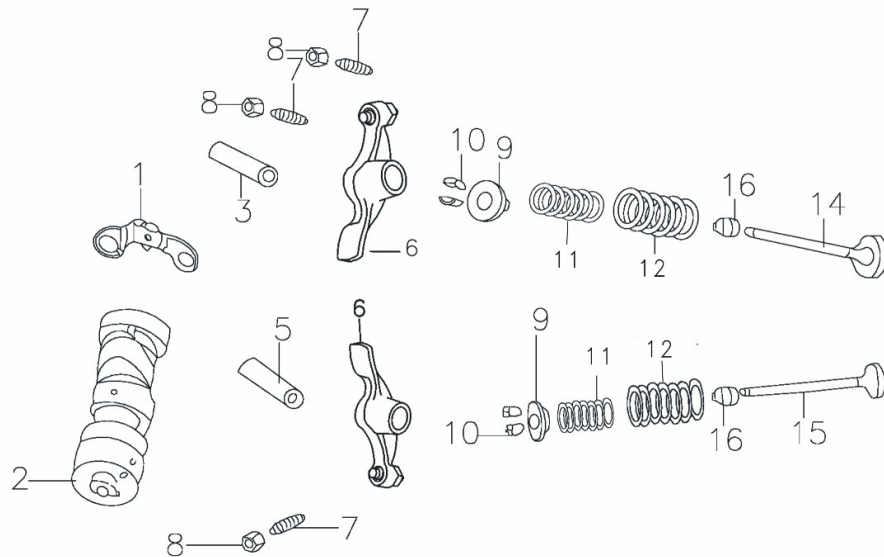
序号 Ref. No.	零部件编码 Part No.	零部件名称	Description	数量 Quantity	备注 Remark
1	208A038	气缸体	CYLINDER BODY	1	
2	2081B010	气缸体密封垫	CYLINDER BODY SEAL PACKING	1	
3	208A000	气缸头组件	CYLINDER HEAD ASSY	1	
4	D00A001	进气门导管	SUCTION-VALVE PIPE	1	
5	D00A002	排气门导管	EXHAUST VALVE PIPE	1	
6	213B008	气缸头密封垫组件	CYLINDER HEAD SEAL GASKET	1	
7	97008014	定位销 8×14	ASSEMBLING PIN 8×14	2	
8	208M036	双头螺栓M6×32	BOLT M6×32	2	
9	GB5783	螺栓	BOLT	1	
10	D00L040	衬套	OIL SEAL	1	
11	208-1-11	衬套	OIL SEAL	1	
12	D00L033	矩形密封圈	RECTANGLE SEAL PING	1	
13	D00L035	矩形密封圈	RECTANGLE SEAL PING	1	
14	208-1-14	O 型密封圈	O SHAPED SEAL RING	2	
15	208-1-15	密封条	SEAL LVASHER	1	
16	GB5783	螺栓	BOLT	1	
17	97008012	定位销 8×12	ASSEMBLING PIN 8×112	2	
E-2	气缸头	CYLINDER HEAD			



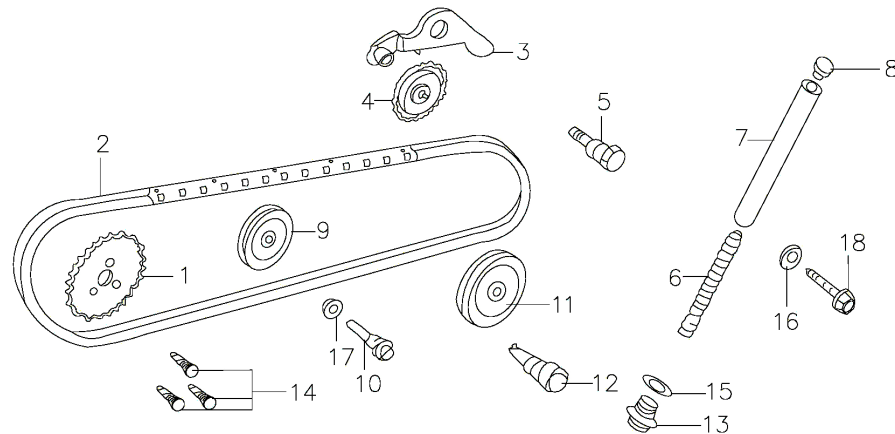
序号 Ref. No.	零部件编码 Part No.	零部件名称	Description	数量 Quantity	备注 Remark
1	208A036	气缸头盖	CYLINDER HEAD COVER	1	
2	206B009	气缸头盖密封垫	CYLINDER HEAD COVER SEAL PACKING	1	
3	208A033	气缸头左盖	CYLINDER HEAD LEFT COVER	1	
4	E03B006	气缸头左盖密封圈	CYLINDER HEAD LEFT COVER SEAL PACKING	1	
5	208A035	气缸头右盖	CYLINDER HEAD RIGHT COVER	1	
6	D00B007	气缸头右盖密封圈	CYLINDER HEAD RIGHT COVER SEAL RING	1	
7	208A032	气门盖	VALVA COVER	2	
8	D00C058	气门盖密封圈	SEAL FOR INTAKE VALVE	2	
11	D004D021	NGK 火花塞	NGK SPARKING PLUG	1	
12	E03L016	垫圈	CUSHION RING	3	
13	E03L008	垫圈	CUSHION RING	1	
14	923H070000BCR	螺母	NUT	4	
15	GB5787	螺栓	BOLT	1	
16	GB70	内六角螺栓	SCREW	2	
E-2	气缸头	CYLINDER HEAD			



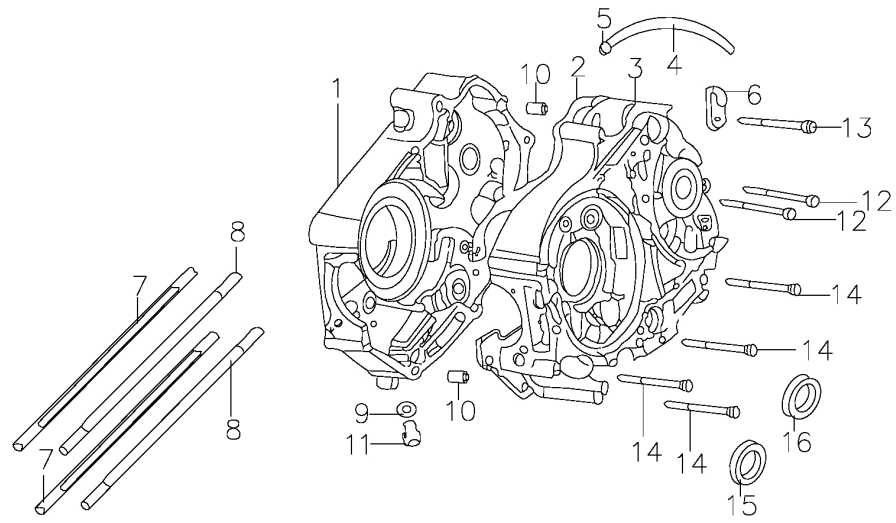
序号 Ref. No.	零部件编码 Part No.	零部件名称	Description	数量 Quantity	备注 Remark
17	GB5787	带盘螺栓	PLATE BOLT	4	
18	208B030	进气管密封垫	SEAL PACKING FOR THE INTAKE	1	
19	L00JQ214	进气管	INTAKE	1	
20	F001B014	密封垫	SEAL PACKING	1	
21	F00C039	隔热垫	CARBURETOR SEAL PACKING	1	
22	GB5787	带盘螺栓	PLATE BOLT	4	
23	208A000	气缸头总成	CYLINDER HEAD ASSY	1	
24	D00L020	铝垫圈6	ALUMINIUM WASHER 6	1	
E-3	凸轮轴总成	CAMSHAFT ASSY			



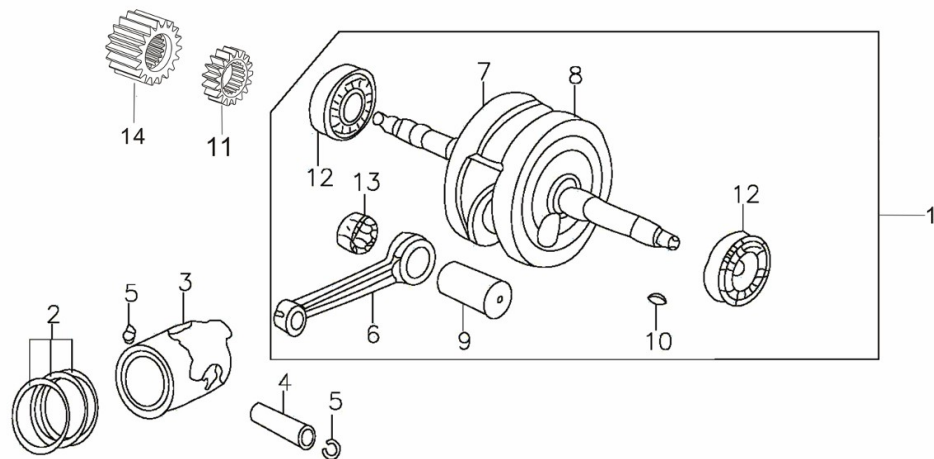
序号 Ref. No.	零部件编码 Part No.	零部件名称	Description	数量 Quantity	备注 Remark
1	D00F013	单向器锁止板组合	ISOLATOR LOCKER ASSEMBLY	1	
2	208F020	凸轮轴组件	CAMSHAFT SUBASSEMBLY	1	
3	D00F015	进气摇臂轴	AIR-IN ROCKERARM SHAFT	1	
5	D00F015	摇臂轴	ROCKERARM SHAFT	1	
6	D00F000	气门摇臂	ROCKER ARM, VALVE	2	
7	A00F001	气门调节螺钉	AIR VALVE ADJUSTING SCREW	2	
8	A00F002	气门调节螺母	AIR VALVE ADJUSTINF NUT	2	
9	D00F034	气门内外弹簧座	UP SPRING SEAT	2	
10	D00F033	气门锁夹	AIR VALVE LOCKER	2	
11	208H004	气门内弹簧	INNER SPRING, VALVE	2	
12	208H003	气门外弹簧	OUTER SPRING, VALVE	2	
14	204F045	进气门	INDUCTION VALVE	1	
15	204F039	排气门	EXHAUST VALVE	1	
16	D00C043	油封	VALVE STEM SEAL	2	
E-4	时规链	TIME CHAIN			



序号 Ref. No.	零部件编码 Part No.	零部件名称	Description	数量 Quantity	备注 Remark
1	208F011	正时从动链轮	TIMING DRIVEN SPROCKET	1	
2	E03F012	正时链条	TIMING CHAIN	1	
3	D00F043	链条张紧臂组件	CHAIN TENSION ARM SUBASSEMBLY	1	
4	D00C020	链条张紧滚轮组合	CHAIN TENSION CONTACT ROLLER ASSEMBLY	1	
5	D00F044	链条张紧臂芯轴	CHAIN TENSION ARM MANDREL	1	
6	D00H006	链条张紧杆弹簧	CHAIN TENSION STUD SPRING	1	
7	D00F042	链条张紧杆组件	CHAIN TENSION STUD SUBASSEMBLY	1	
8	D00C022	链条张紧杆头	CHAIN TENSION STUD HEAD	1	
9	E03C023	无芯导向轮	GUIDE WHEEL WITHOUT CORE	1	
10	E03F048	导向滚轮销	GUIDE ROLLER PIN	1	
11	E04C021	链条张紧滚轮 2	CHAIN TENSION CONTACT ROLLER II	1	
12	E04F041	链条张紧滚轮 2 销轴	CHAIN TENSION CONTACT ROLLER II PIN	1	
13	D00E025	密封螺栓	SEAL BOLT	1	
14	578305012	六角螺栓M5×12	BOLT M5×12	3	
15	D00L021	铝垫圈14	ALUMINIUM WASHER 14	1	
16	208-4-16	垫圈	WASHER	1	
17	D00L019	铝垫圈8	ALUMINIUM WASHER 8	1	
18	D00L020	螺栓	BOLT	1	
E-5	左、右箱体	CRANKCASE			



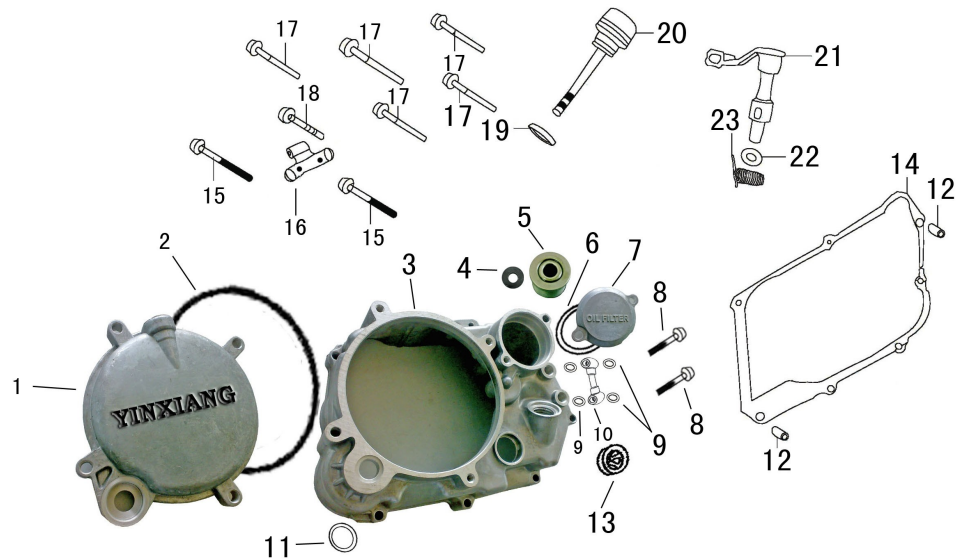
序号 Ref. No.	零部件编码 Part No.	零部件名称	Description	数量 Quantity	备注 Remark
1	2081A020	右曲轴箱体	RIGHT CRANKCASE BODY	1	
2	E132B005	曲轴箱密封垫	CRANKCASE SEALED PACKING	1	
3	2081A010	左曲轴箱体	LEFT CRANKCASE BOGY	1	
4	F00C024	通气管	BREATHING PIPE	1	
5	D00L014	溢流管夹	OVERFLOW PIPE CLIP	1	
6	D00L039BCR	高压线夹	PIPE CLAMPING	1	
7	206M001	汽缸双头螺栓 A	CYLINDER TRAPPED STUD(A)	2	
8	206M002	汽缸双头螺栓 B	CYLINDER TRAPPED STUD (B)	2	
9	D00L021	垫圈	WASHER	1	
10	97010014	定位销	ASTEMBLING PIN	2	
11	D00E026BX	放油螺栓	DISCHARGING OIL PLUG SCREW	1	
12	GB5787	螺栓	BOLT	2	
13	GB5787	螺栓	BOLT	1	
14	GB5787	螺栓	BOLT	4	
15	D001C008	油封	WASHER	1	
16	D00C026	油封	WASHER	1	
E-6	曲轴总成	CRANKSHAFT			



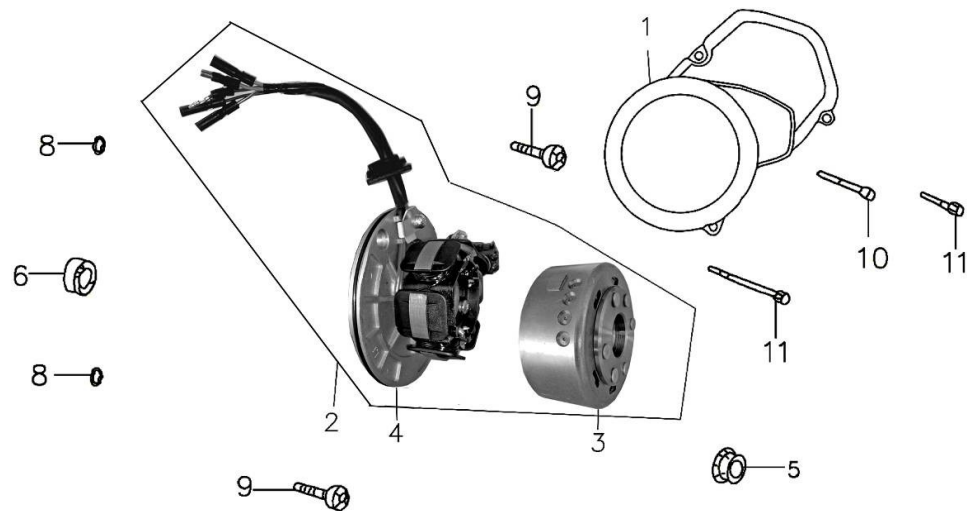
序号 Ref. No.	零部件编码 Part No.	零部件名称	Description	数量 Quantity	备注 Remark
1	216J000	曲柄连杆组件	CRANK CONNECTING ROD	1	
2	208J013	活塞环组合	PISTON RING SET	1	
3	2081J014	活塞	PISTON	1	
4	208J012	活塞销	PISTON PIN	1	
5	D00J011	活塞销挡圈	PISTON PIN SHIELD RING	2	
6	216J025	连杆	CONNECTING ROD LEVEL	1	
7	216J005	右曲柄	RIGHT-HAND CRANKSHAFT	1	
8	216J006	左曲柄	LEFT-HAND CRANK SHAFT	1	
9	208J007	曲柄销	CRANK PIN	1	
10	208J001	半圆键	SEMICIRCULAR KEY	1	
11	E13E023	油泵驱动齿轮	OIL PUMP DRIVER GEAR	1	
12	6304/P6	轴承	BEARING	2	
13	208J008	连杆大头轴承	BEARING	1	
14	D04K015	主动齿轮	PRIMARY DRIVER GEAR	1	

E-7 右边盖

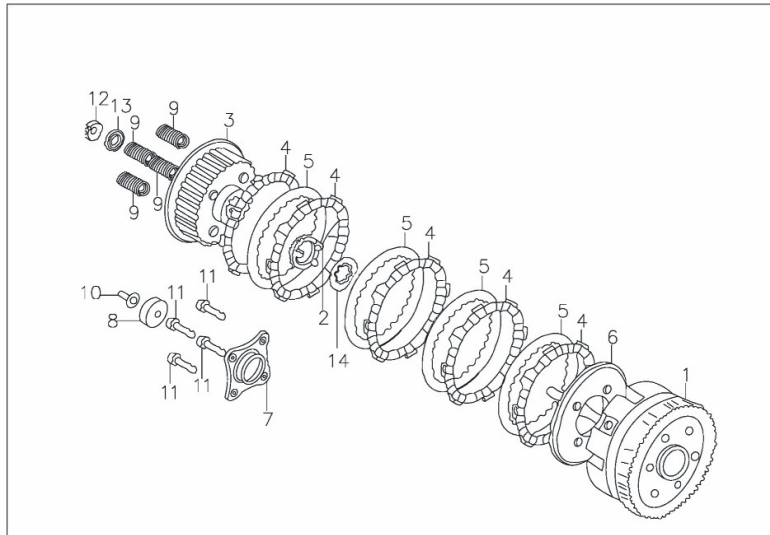
CRANKCASE COVER



序号 Ref. No.	零部件编码 Part No.	零部件名称	Description	数量 Quantity	备注 Remark
1	216A085	离合器盖	CLUTCH COVER	1	
2	216C147	离合器盖O型圈	CLUTCH COVER O-RING	1	
3	216A034	右曲轴箱盖	RIGHT CRANKCASE COVER	1	
4	216H022	机油滤清器弹簧	OIL FILTER SPRING	1	
5	216E010	机油滤清器	OIL FILTER	1	
6	216C148	机油滤清器O型圈	OIL FILTER COVER GO-RING	1	
7	216E011	机油滤清器盖	OIL FILTER COVER	1	
8	GB5787	螺栓	BOLT	2	
9	F05L059	垫圈10	WASHER 10	4	
10	208-7-14	增油导管	OIL PIPE	1	
11	216C149	启动轴O型圈	STARTING SHAFT O-RING	1	
12	97108012	定位销	PITCHED PIN	2	
13	D00C027	油面窗	OIL VIEW GLASS	1	
14	E132B002	密封垫	RIGHT CRANKCASE SEALED	1	
15	GB5787	螺栓	BOLT	2	
16	216L031	离合器拉索定位支架	CLUTCH CABLE CLIP	1	
E-7	右边盖	CRANKCASE COVER			

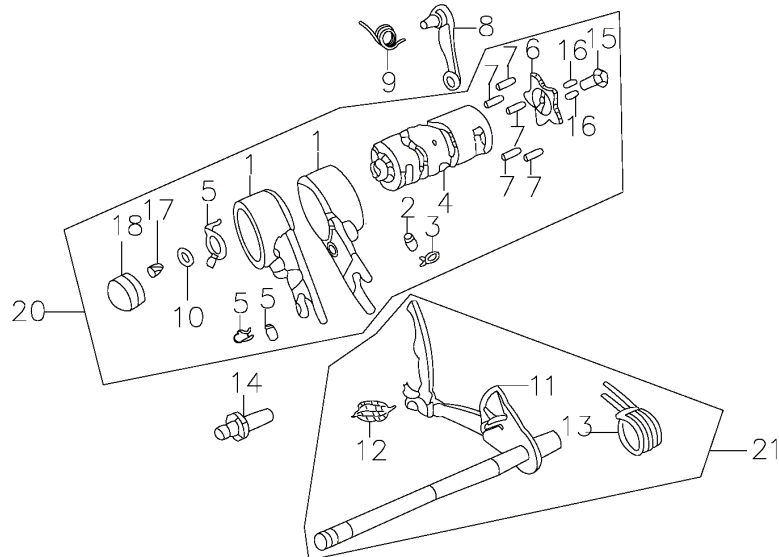


序号 Ref. No.	零部件编码 Part No.	零部件名称	Description	数量 Quantity	备注 Remark
1	A019A070	左箱盖	LEFT CRANKCASE COVER	1	
2	216D050	磁电机总成	MAGNETON	1	
3	216D060	磁电机转子	FLYWHEEL	1	
4	216D070	磁电机定子	STATOR MODULE	1	
5	617710000BCR-1	六角螺母	HEX NUT	1	
6	D00C028	油封	OILE SEAL	1	
8	F002C048	O 型密封圈	O-SHAPED SEAL	1	
9	GB819	螺钉6X16	BOLT	2	
10	GB5787	螺栓	BOLT	1	
11	GB5787	螺栓	BOLT	2	
E-9	离合器组件	CLUTCH COMPONENT PART			

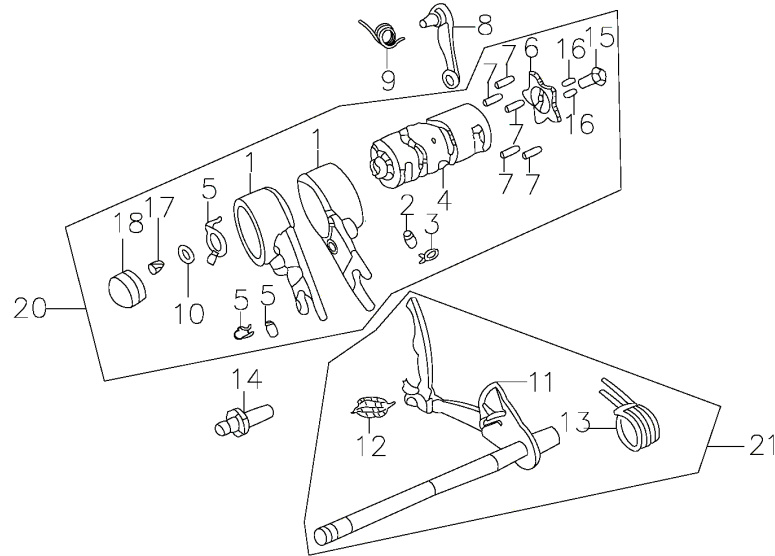


—15

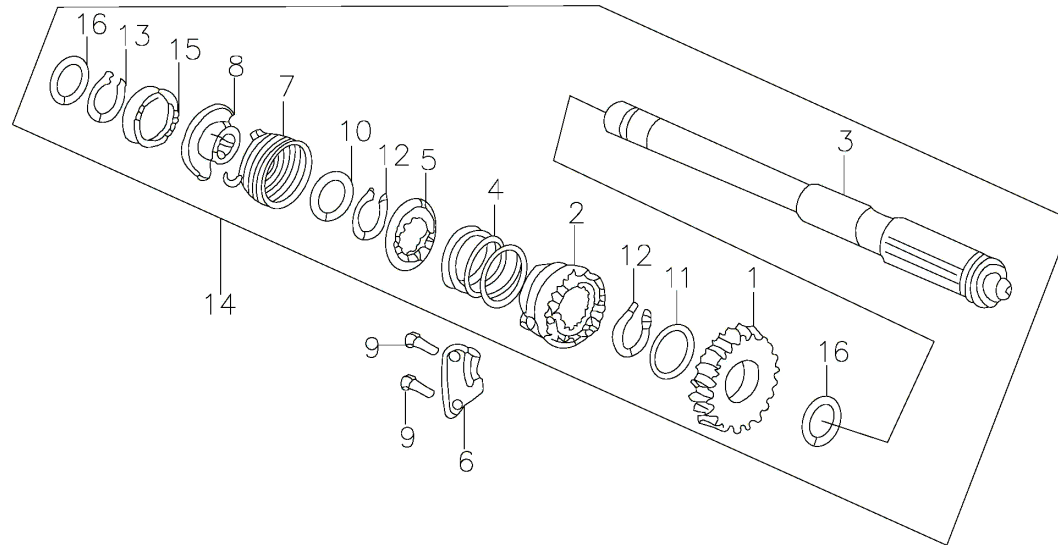
序号 Ref. No.	零部件编码 Part No.	零部件名称	Description	数量 Quantity	备注 Remark
1	208-9-1	离合器外罩组合	CLUTCH EXTERNAL ASSY	1	
2	208-9-2	定位环	HOLDING RING	1	
3	208-9-3	离合器中心套	CENTRE OF CLUTCH COVER	1	
4	208-9-4	离合器磨擦盘	CLUTCH FRICTION DISK	5	
5	208-9-5	离合器板	CLUTCH BOARD	4	
6	208-9-6	离合器压盘	CLUTCH PRESSURE PLATE	1	
7	208-9-7	离合器升板	CLUTCH LIFT SLAB	1	
8	208-9-8	轴承	BEARING	1	
9	208-9-9	离合器弹簧	CLUTCH SPRING	4	
10	208-9-10	离合器推杆	CLUTCH PUSH ROD	1	
11	208-9-11	螺栓	BOLT	4	
12	208-9-12	圆螺母	ROUND NUT	1	
13	208-9-13	碟型垫圈	DISK SHAPED WASHER	1	
14	208-9-14	花键垫圈	SPLINE SHAFT WASHER	1	
15	206G000	离合器总成	CLUTCH ASSEMBLY	1	
E-10	变速鼓组件	SHIFTING MOTIVATOR			



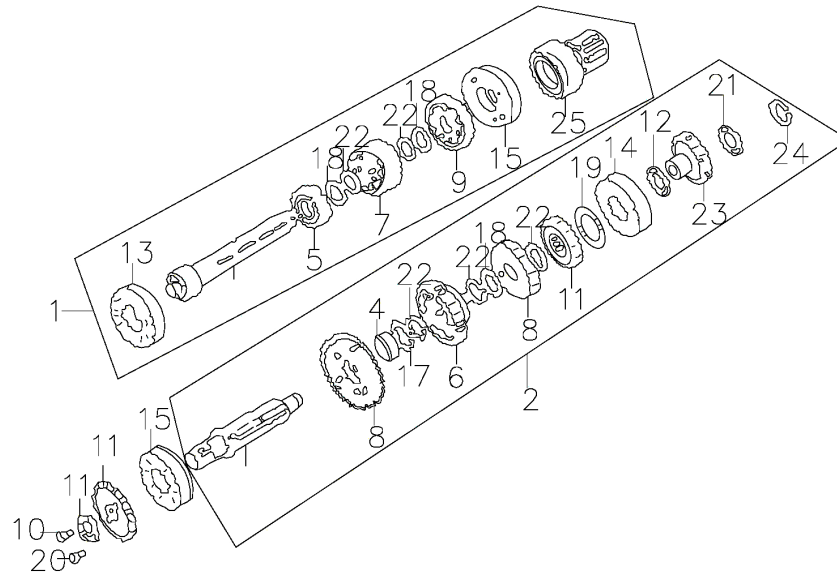
序号 Ref. No.	零部件编码 Part No.	零部件名称	Description	数量 Quantity	备注 Remark
1	208-10-1	齿轮拨叉	GEAR SHIFT FORK	2	
2	208-10-2	导向销	GUIDE PIN	1	
3	208-10-3	弹簧夹	SPRING CLIP	1	
4	A00K066	变速鼓	SHIFTING DRUM	1	
5	A00D010	空档开关接触片	NEUTRAL GEAR SWITCH CONTACT	1	
6	A00K023	五星板	SPEED VARIATOR STRONGBACSTRONGBACK PIN	1	
7	208-10-7	定位板销钉	STRONGBACK PIN BOLT	5	
8	D05K070	变速鼓定位板组件	SPEED VARIATOR STRONGBACK SUBASSEMBLY	1	
9	D00H009	定位板弹簧	STRONGBACK SPRING	1	
10	A00K062	垫圈	WASHER	1	
11	208-10-11	变档轴	SHIFTING SUBASSEMBLY	1	
12	208-10-12	弹簧	SPRING	1	
13	208-10-13	复位弹簧	RETURN SPRING	1	
14	D00K024	定位螺栓	ASSEMBLING SPING	1	
15	GB5787	带盘螺栓	BOLT WITH SALVER	1	
16	208-10-16	定位销	ASSEMBLING PIN	2	
E-10	变速鼓组件	SHIFTING MOTIVATOR			



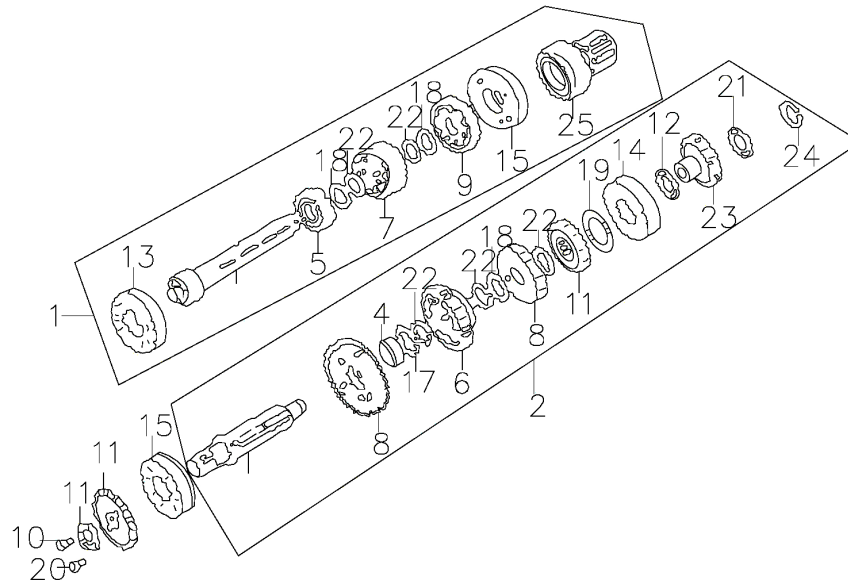
序号 Ref. No.	零部件编码 Part No.	零部件名称	Description	数量 Quantity	备注 Remark
17	A00L033	开关压板	SWITCH PRESSBOARD	1	
18	A00K082	动触头组合	MOVING CONTACT SUBASSEMBLY	1	
19	208-10-19	内六角螺栓	SOCKET HEAD CAP SCREW	1	
20	A004K060	变速鼓组合	SHIFTING YOKE VARIATOR	1	
21	C032K000	换档臂组件	SHIFTING SUBASSEMBLY	1	



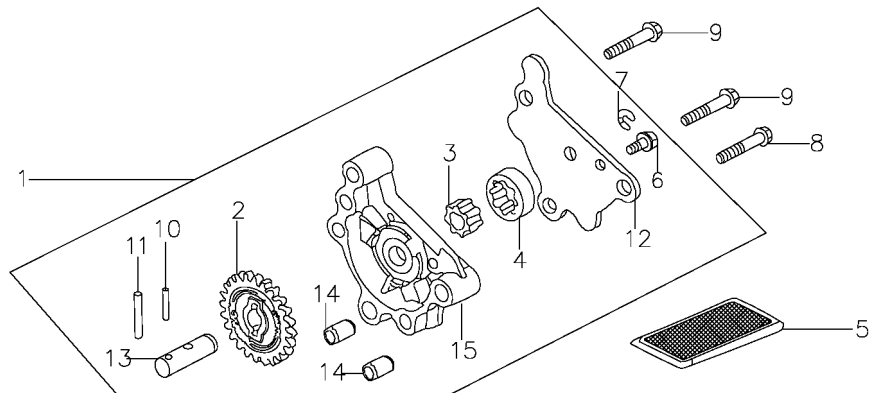
序号 Ref. No.	零部件编码 Part No.	零部件名称	Description	数量 Quantity	备注 Remark
1	208K025	起动齿轮	START GEAR	1	
2	208-11-2	起动棘轮	STARTING RATCHET WHEEL	1	
3	208-11-3	起动轴	STARTING SHAFT	1	
4	208-11-4	弹簧	SPRING	1	
5	208-11-5	棘轮弹簧座	RATCHET WHEEL SPRINGS SUPPORTING	1	
6	208-11-6	棘轮导向板	RATCHET WHEEL GUIDE RUNNER	1	
7	208-11-7	起动轴复位弹簧	STARTING SHAFT RETURN SPRING	1	
8	208-11-8	起动轴弹簧座	STARTING SHAFT SPRING SUPPORTING	1	
9	GB5783	螺栓	BOLT	2	
10	208-11-10	垫圈	WASHER	1	
11	208-11-11	垫圈	WASHER	2	
12	208-11-12	垫圈	WASHER	3	
13	208-11-13	护挡圈	SHIELD RING	1	
14	208I000	起动轴组合	STARTING SHAFT ASSEMBLY	1	
15	208-11-15	弹簧盖	SPRING COVER	1	
16	208-11-16	垫圈	WASHER	2	
E-12	主、副轴组件	SLOWING DOWN SUBASSEMBLY			



序号 Ref. No.	零部件编码 Part No.	零部件名称	Description	数量 Quantity	备注 Remark
1	E13K030	传动主轴 (不含轴承)	TRANSMISSION MMAIN SHAFT	1	
2	E13K040	传动副轴 (不含轴承)	TRANSMISSION COUNTENSHAFT	1	
3	208-12-3	齿轮	GEAR WHEEL	1	
4	208-12-4	齿轮套	GEARED SLEEVE	1	
5	208-12-5	齿轮	GEAR WHEEL	1	
6	208-12-6	花键从动齿轮	SPLINE SHAFT DRIVER GEAR	1	
7	208-12-7	花键主动齿轮	SPLINE SHAFT MAIN DRIVEN GEAR	1	
8	208-12-8	齿轮	GEAR WHEEL	1	
9	208-12-9	齿轮	GEAR WHEEL	1	
10	208-12-10	花键齿轮	SPLINE SHAFT GEAR WHEEL	1	
11	D002K014	主动链轮	DRIVE SPROCKET	1	
12	208-12-12	主动链轮卡圈	SRIVE SPROCKET CLOSING RING	1	
13	2766001	轴承	BEARING	1	
14	2766002	轴承	BEARING	1	
15	2766203	轴承	BEARING	2	
16	208-12-16	推力垫圈	THRUST WASHER	1	
E-12	主、副轴组件	SLOWING DOWN SUBASSEMBLY			



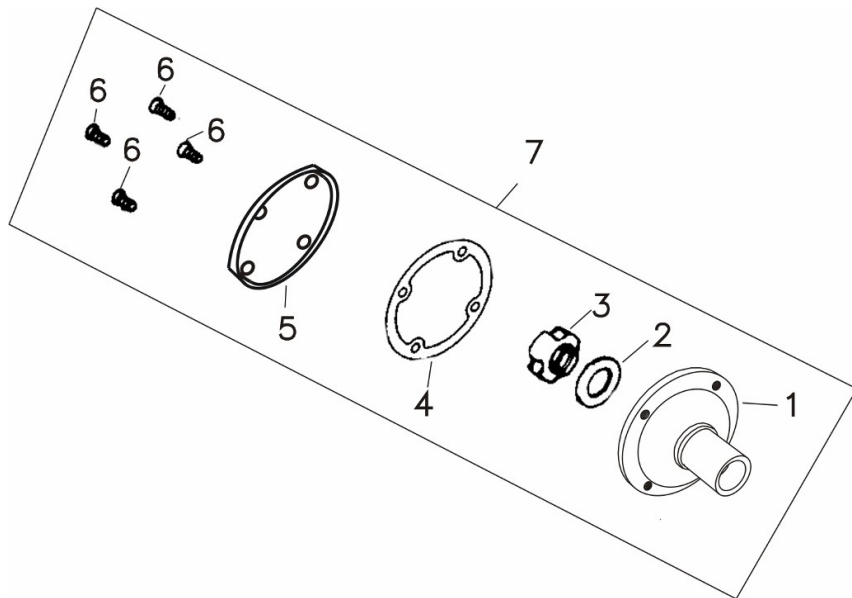
序号 Ref. No.	零部件编码 Part No.	零部件名称	Description	数量 Quantity	备注 Remark
17	208-12-17	花键垫圈	SPLINE SHAFT WASHER	1	
18	208-12-18	花键垫圈	SPLING SHAFT WASHER	3	
19	208-12-19	花键垫圈	SPLING SHAFT WASHER	2	
20	208-12-20	螺栓	BOLT	2	
21	208-12-21	推力垫圈	SPLING SHAFT WASHER	1	
22	208-12-22	挡圈	SHIELD RING	5	
23	208-12-23	起动过桥齿轮	STAR ROLLING GEAR	1	
24	208-12-24	挡圈 15	SHIELD RING	1	
25	208-12-25	离合器齿轮套	CLITCH GEAR SLEEVE	1	
E-13	油泵总成	PUMP ASSY			



序号 Ref. No.	零部件编码 Part No.	零部件名称	Description	数量 Quantity	备注 Remark
1	E13E000	机油泵部件	OIL PUMP COMPONENTS	1	
2	208-13-2	油泵从动齿轮	OIL PUMP DRIVER GEAR	1	
3	208-13-3	油泵内转子	OIL PUMP INNER ROTOR	1	
4	208-13-4	油泵外转子	OIL PUMP OUTER ROTOR	1	
5	D00C037	机油过滤网组件	OIL FILTER SUBASSEMBLY	1	
6	208-13-6	带盘螺栓	PLATE BOLT	1	
7	208-13-7	挡圈	SHIELD RING	1	
8	GB5783	带盘螺栓	BOLT WITH SALVER	1	
9	GB5783	带盘螺栓	BOLT WITH SALVER	2	
10	208-13-10	销轴	PIN BEARING	1	
11	208-13-11	销轴	PIN BEARING	1	
12	208-13-12	油泵盖	OIL PUMP COVER	1	
13	208-13-13	油泵轴	OIL PUMP AXIS	1	
14	208-13-14	定位销	ASSEMBLING PIN	2	
15	208-13-15	油泵体	OIL PUMP BODY	1	

E-14 平衡轮组件

BALANCE WHEEL ASSY



序号 Ref. No.	零部件编码 Part No.	零部件名称	Description	数量 Quantity	备注 Remark
1	208G082	平衡轮	BALANCE WHEEL	1	
2	208-14-2	碟形垫圈	WASHER	1	
3	208-14-3	锁紧螺母	LOCK NUT	1	
4	208-14-4	纸垫	PAPER WASHER	1	
5	208-14-5	平衡轮盖	BALANCE WHEEL COVER	1	
6	208-14-6	螺钉M5	BOLT M5	4	
7					
8					
9					
10					
11					
12					
13					
14					
15					